



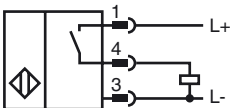
Model Number

NJ60-FP-E2-P2-V1

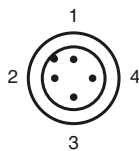
Features

- 60 mm not embeddable
- Operating distance adjustable via potentiometer

Connection



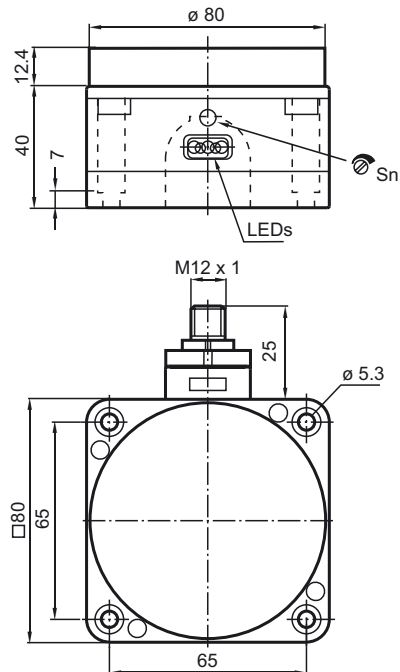
Pinout



Wire colors in accordance with EN 60947-5-2

1	BN
2	WH
3	BU
4	BK

Dimensions



Technical Data

General specifications

Switching element function	PNP	NO
Rated operating distance	s_n	60 mm
Installation		not embeddable
Output polarity		switched high
Assured operating distance	s_a	0 ... 48.6 mm
Reduction factor r_{Al}		0.4
Reduction factor r_{Cu}		0.3
Reduction factor r_{V2A}		0.85
Adjustment aid		LED, green/red

Nominal ratings

Operating voltage	U_B	10 ... 30 V
Switching frequency	f	0 ... 20 Hz
Hysteresis	H	3 ... 15 typ. 5 %
Reverse polarity protected		yes
Short-circuit protection		pulsing
Voltage drop	U_d	≤ 3 V
Operating current	I_L	0 ... 200 mA
No-load supply current	I_0	≤ 20 mA
Operating voltage display		LED, green
Indication of the switching state		LED, yellow

Ambient conditions

Ambient temperature	0 ... 60 °C (32 ... 140 °F)
---------------------	-----------------------------

Mechanical specifications

Connection type	Device connector M12 x 1, 4-pin
Housing material	POM
Sensing face	POM
Protection degree	IP65

Compliance with standards and directives

Standard conformity	
Standards	EN 60947-5-2:2007 IEC 60947-5-2:2007

Approvals and certificates

UL approval	cULus Listed, General Purpose
CSA approval	cCSAus Listed, General Purpose